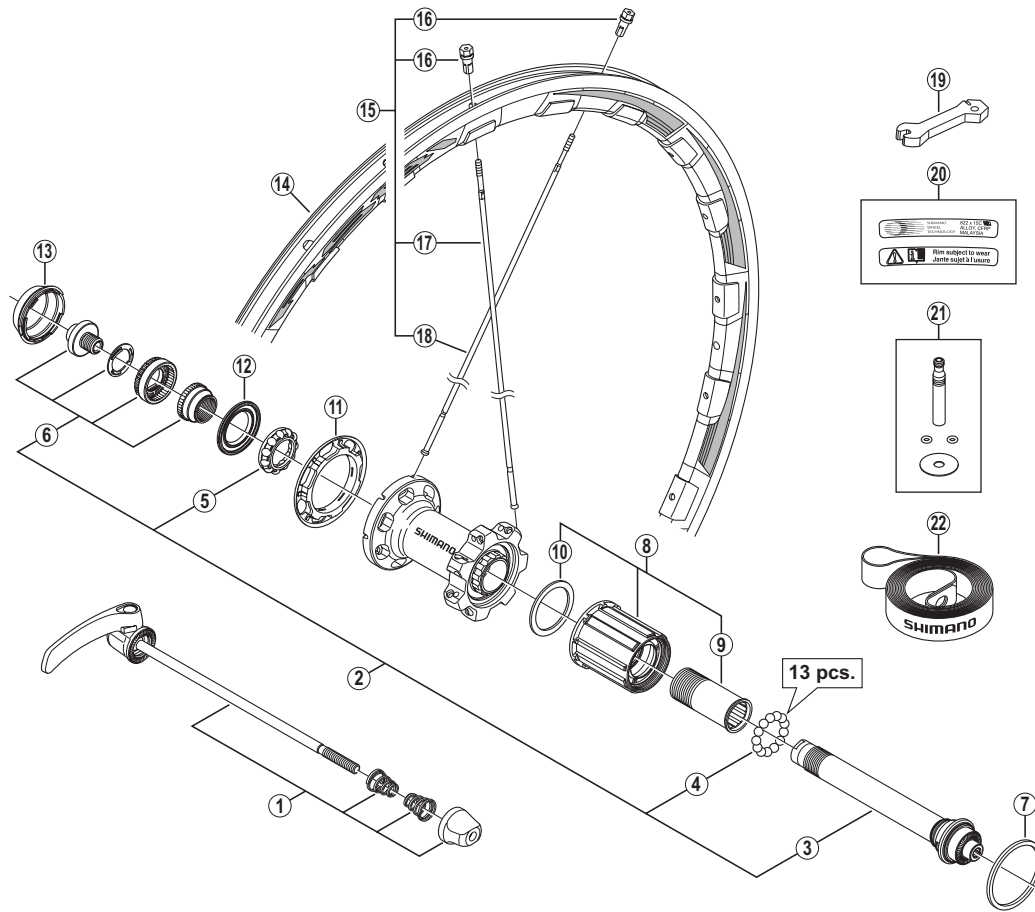


Rear Wheel

WH-RS81-C35-CL-R 10/11-Speed



WH-RS81-C24-CL
WH-RS81-C50-CL
WH-8800

• Over Lock Nut Dimension: 130 mm (5-1/8")

ITEM NO.	SHIMANO CODE NO.	DESCRIPTION	INTERCHANGEABILITY
1	Y49R98010	Complete Quick Release 163 mm (6-13/32")	A B B
	Y49R98020	Complete Quick Release 168 mm (6-5/8")	A B B
2	Y49398030	Complete Hub Axle	A A A
3	Y49398040	Hub Axle Unit	A A A
4	Y00091210	Steel Ball (3/16") 20 pcs.	A A A
5	Y26J98030	Ball Retainer (3/16")	A A A
6	Y49398050	Left Hand Lock Bolt Unit	A A A
7	Y4T724000	Low Spacer (1.85 mm)	A A A
8	Y49398060	Complete Freewheel Body	A A A
9	Y3CZ18000	Body Fixing Bolt	A A A
10	Y3CZ12000	Freewheel Body Washer	A A A
11	Y49N04000	Hub Cap	A
12	Y28M07000	Seal Ring	A A A
13	Y3E212000	Left Hand Dust Cover	A A A
14	EWHRIM4CRHCC	Rim {21H}	
15	EWHSPOKE2ZB1	Spoke Unit {Spoke (270 mm x 7 pcs. / 294 mm x 14 pcs.) / Nipple (21 pcs.)}	
16	Y4SYN1000	Nipple	A
17	Y49NS2000	Rigth Hand Spoke (294 mm)	
18	Y49NS1000	Left Hand Spoke (270 mm)	
19	Y4SY11000	Nipple Wrench 3.75	A
20	Y49P98020	Rim Sticker Unit	A
21	Y4G998100	Valve Extension Unit	
22	EWHRIMTAPER	Rim Tape	A

A: Same parts.

B: Parts are usable, but differ in materials, appearance, finish, size, etc.

Absence of mark indicates non-interchangeability.

Aug.-2013-3580

© Shimano Inc. I

Specifications are subject to change without notice.

SHIMANO