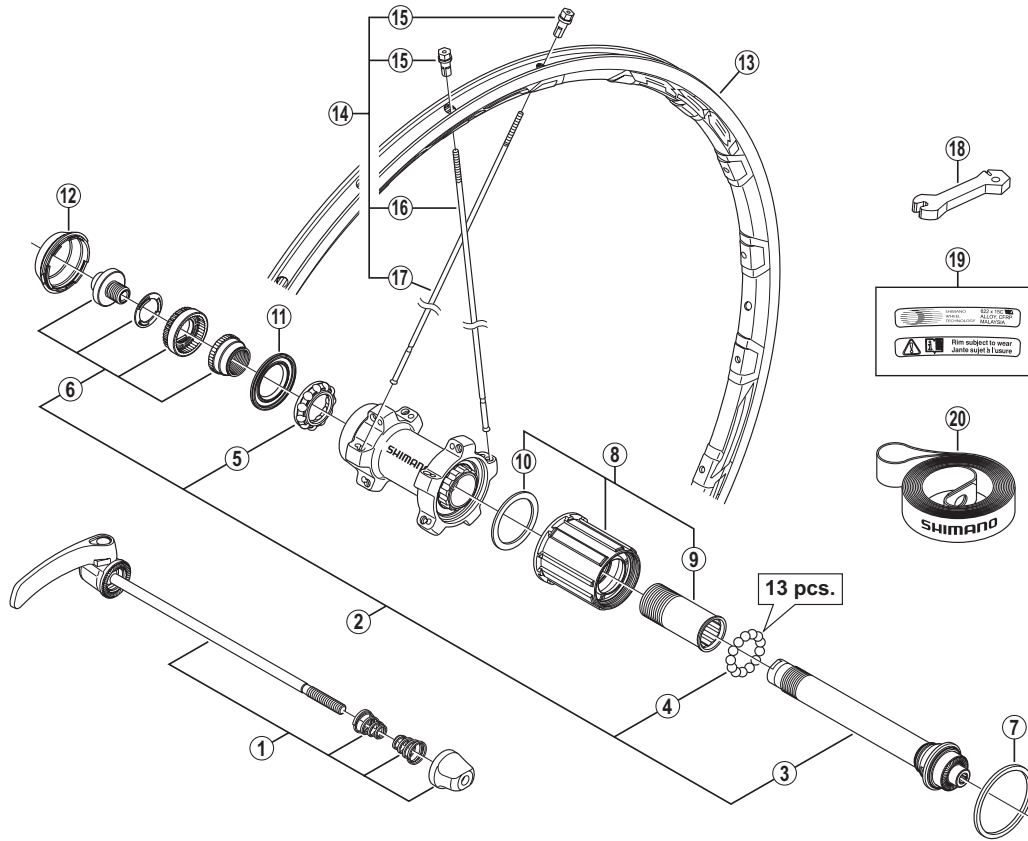


Rear Wheel

WH-RS81-C24-CL-R 10/11-Speed



• Over Lock Nut Dimension: 130 mm (5-1/8")

ITEM NO.	SHIMANO CODE NO.	DESCRIPTION	INTERCHANGEABILITY
1	Y49R98010	Complete Quick Release 163 mm (6-13/32")	B B
	Y49R98020	Complete Quick Release 168 mm (6-5/8")	B B B
2	Y49398030	Complete Hub Axle	A
3	Y49398040	Hub Axle Unit	A
4	Y00091210	Steel Ball (3/16") 20 pcs.	A
5	Y26J98030	Ball Retainer (3/16")	A B
6	Y49398050	Left Hand Lock Bolt Unit	A
7	Y4T724000	Low Spacer (1.85 mm)	A A
8	Y49398060	Complete Freewheel Body	A B
9	Y3CZ18000	Body Fixing Bolt	A A B
10	Y3CZ12000	Freewheel Body Washer	A A A
11	Y28M07000	Seal Ring	A B
12	Y3E212000	Left Hand Dust Cover	A
* 13	EWHRIM4BRECC	Rim {20H}	B
14	EWHSPOKE3DB1	Spoke Unit {Spoke (300 mm x 10 pcs. / 302 mm x 10 pcs.) / Nipple (20 pcs.)}	A
15	Y4SYN1000	Nipple	A
16	Y012AD00V	Righth Hand Spoke (300 mm)	A
17	Y012AD027	Left Hand Spoke (302 mm)	A
18	Y4SY11000	Nipple Wrench 3.75	A
19	Y49P98020	Rim Sticker Unit	
20	EWHRIMTAPER	Rim Tape	A

WH-6800-R
WH-M785-R
WH-9000-C24-CL

A: Same parts.

B: Parts are usable, but differ in materials, appearance, finish, size, etc.

Absence of mark indicates non-interchangeability.

Aug.-2013-3578A

© Shimano Inc. I

Specifications are subject to change without notice.

SHIMANO