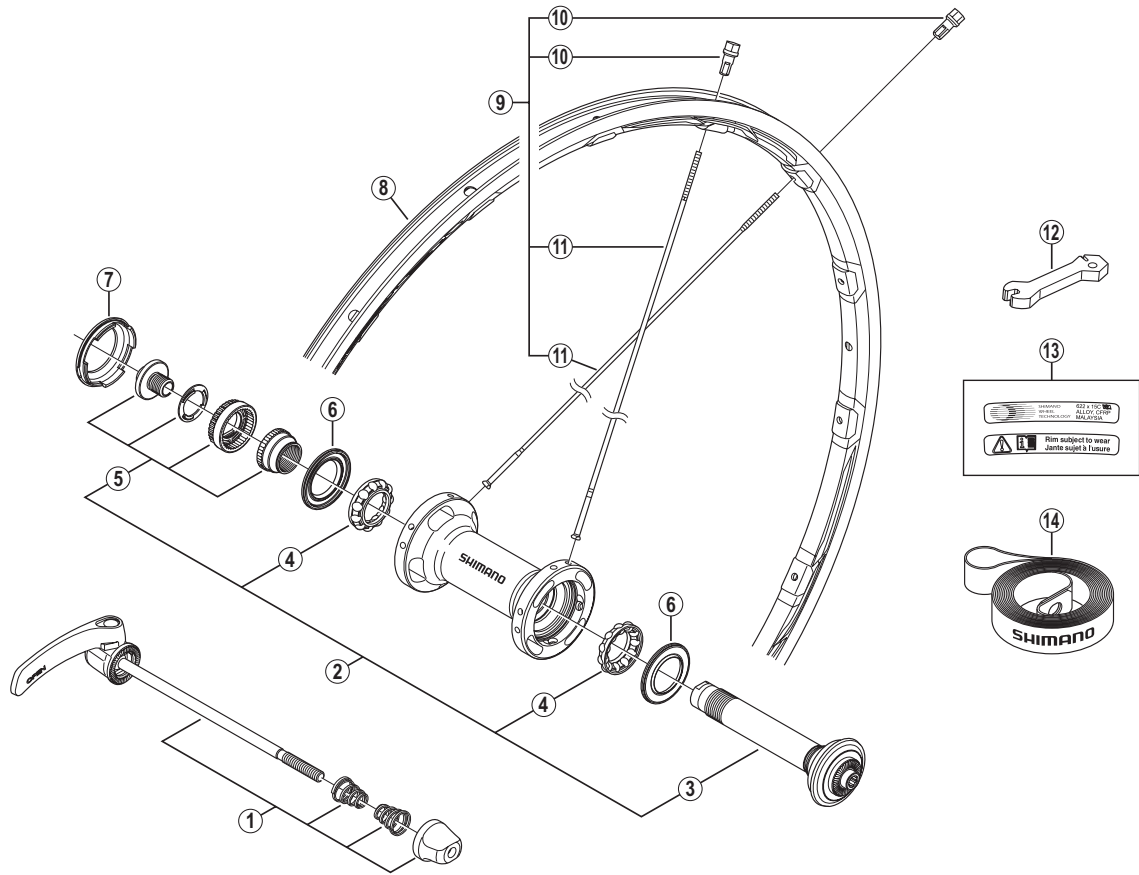


Front Wheel WH-RS81-C24-CL-F



• Over Lock Nut Dimension: 100 mm (3-15/16")

ITEM NO.	SHIMANO CODE NO.	DESCRIPTION	INTERCHANGEABILITY		
			WH-6800-F	WH-M785-F	WH-9000-C24-CL
1	Y49P98010	Complete Quick Release 133 mm (5-1/4")	B	B	B
2	Y49298020	Complete Hub Axle	A		
3	Y49298030	Hub Axle Unit	A		
4	Y26J98030	Ball Retainer (3/16")	A	A	
5	Y49298040	Left Hand Lock Bolt Unit	A		
6	Y28M07000	Seal Ring	A	B	
7	Y49108000	Left Hand Dust Cover	A		
* 8	EWHRIM4BFGCC	Rim {16H}			B
9	EWHSPoke3DA1	Spoke Unit {Spoke (283 mm x 16 pcs.) / Nipple (16 pcs.)}		A	
10	Y4SYN1000	Nipple		A	
11	Y4SYS1000	Spoke (283 mm)		A	
12	Y4SY11000	Nipple Wrench 3.75		A	
13	Y49P98020	Rim Sticker Unit			
14	EWHRIMTAPERA	Rim Tape			A

A: Same parts.

B: Parts are usable, but differ in materials, appearance, finish, size, etc.

Absence of mark indicates non-interchangeability.

Aug.-2013-3577A

© Shimano Inc. I

Specifications are subject to change without notice.

SHIMANO