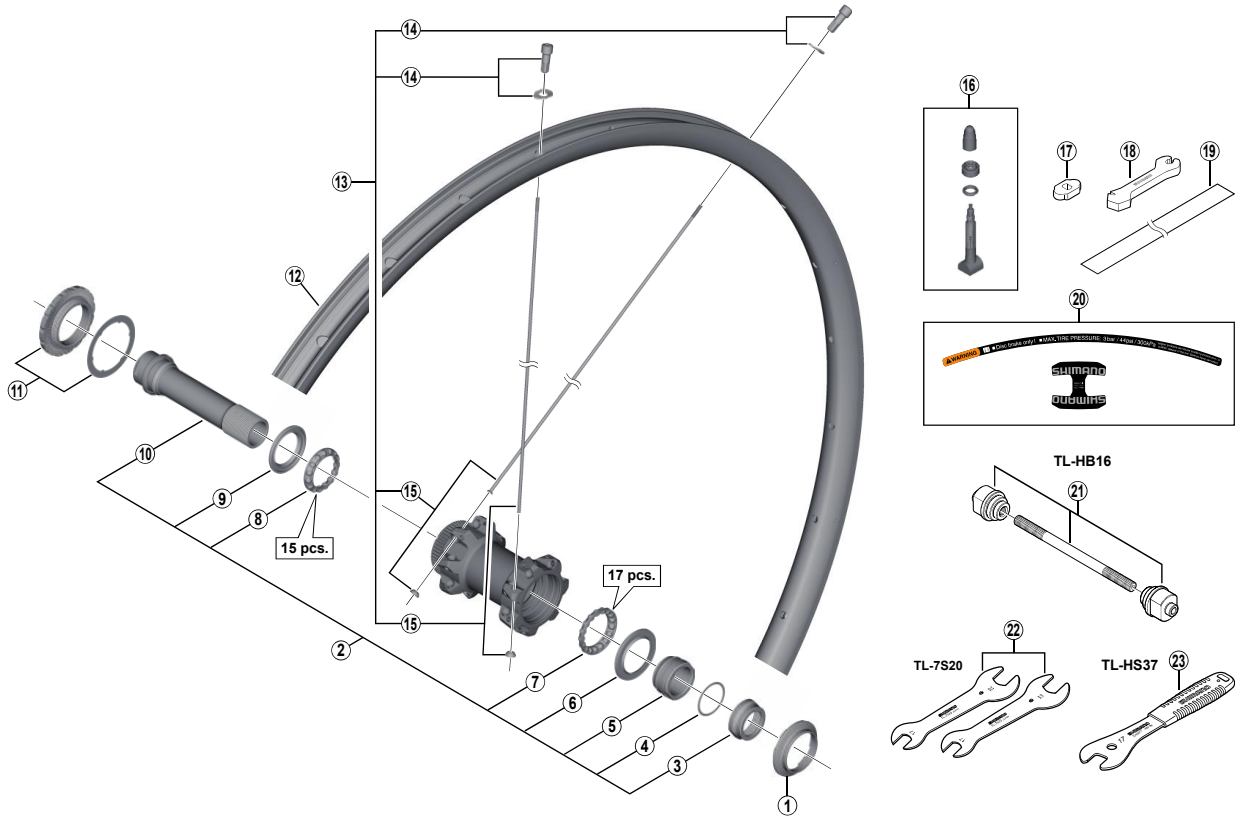


DEORE XT Front Wheel
WH-M8000-TL-F15-29 For Disc Brake



WH-M785-F15-29
 WH-M8000-TL-F-29
 WH-M9000-TL-F15-29

ITEM NO.	SHIMANO CODE NO.	DESCRIPTION	INTERCHANGEABILITY	
1	Y27X17000	Cap		
2	Y2A598010	Complete Hub Axle		
3	Y2A500050	Right Hand Lock Nut		
4	Y24613000	Adjusting Washer		
5	Y24606000	Right Hand Cone		
6	Y27X15000	Right Hand Seal Ring		
7	Y27X98030	Right Hand Ball Retainer (5/32" x 17)		
8	Y27X98040	Left Hand Ball Retainer (5/32" x 15)		
9	Y27X14000	Left Hand Seal Ring		
10	Y2A598020	Hub Axle Unit		
11	Y2A598030	Lock Ring & Washer		
12	EWHRIMZ2F4X	Rim {28H}		A
13	EWHSPOKEY272P	Spoke Unit (Spoke (300 mm x 28 pcs.) / Spherical Washer (28 pcs.) / Nipple (28 pcs.) / Rim Washer (28 pcs.))		A
14	Y03X98010	Nipple & Rim Washer		
15	Y03P98010	Spoke (300 mm) w/Spherical Washer		
16	Y4RJ98020	Valve Unit		
17	Y4RJ10000	Valve Tool		A A
18	Y4EF28000	Nipple Wrench 4.0		A A
19	Y47V00010	Tubeless Tape		A A
20	Y03P98020	Rim Sticker Unit		A
21	Y20W98020	TL-HB16 Hub Setting Tool	A	
22	Y13098900	TL-7S20 Hub Spanners (17 mm x 22 mm) 2 pcs.	A	
23	Y23098030	TL-HS37 Hub Spanner (17 mm)		

A: Same parts.

B: Parts are usable, but differ in materials, appearance, finish, size, etc.

Absence of mark indicates non-interchangeability.

Specifications are subject to change without notice.

Jul.-2015-3876

© Shimano Inc. I

SHIMANO