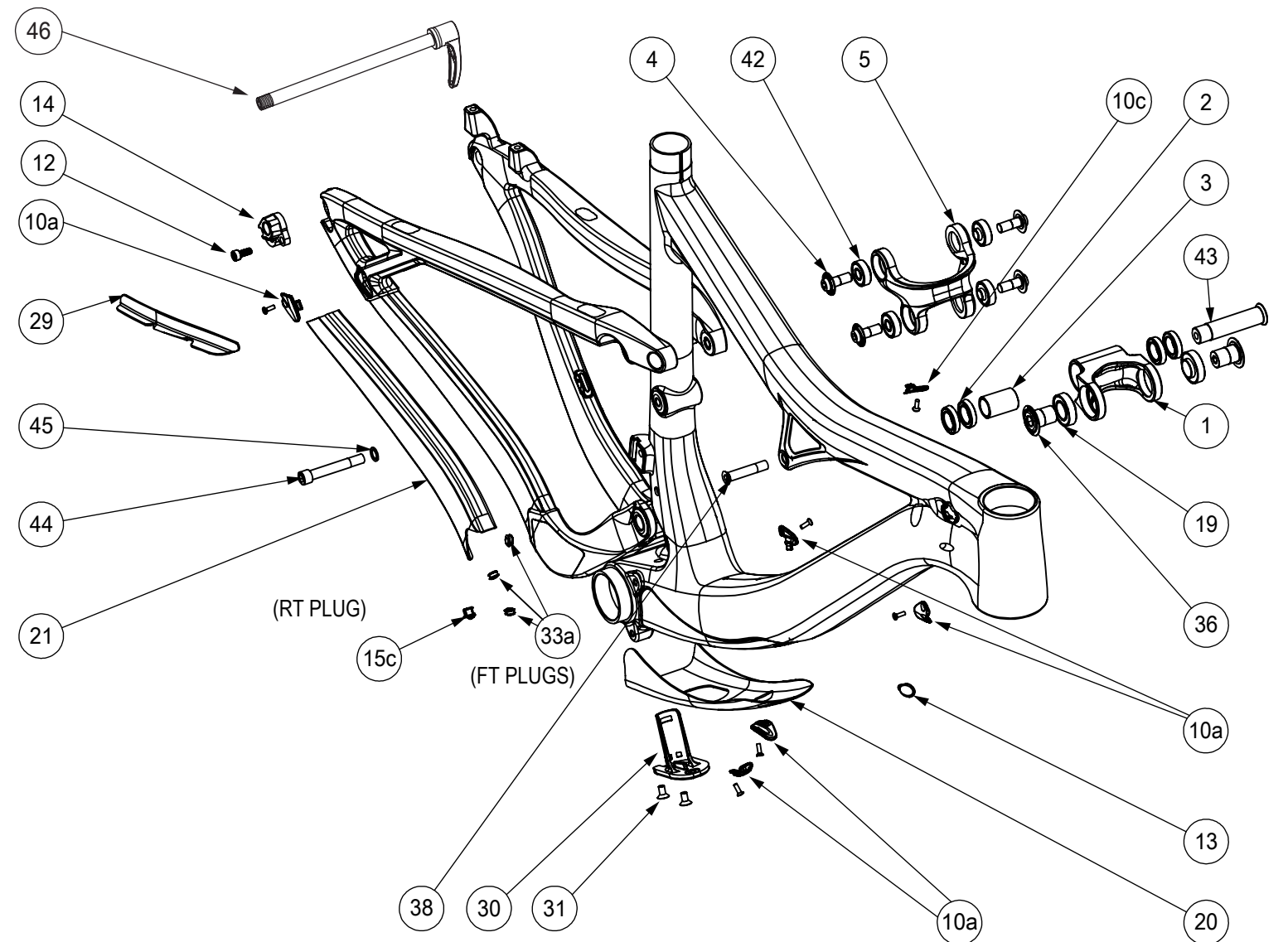
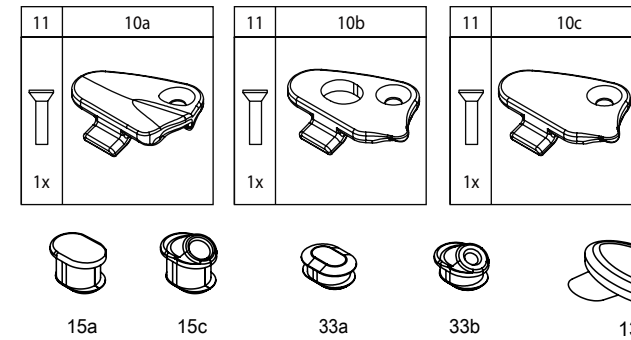


MACH 429 C SL

NUMBER	PART NAME	DESCRIPTION	Torque	*
1	FP-LNK-LL-BLK-V2-R1	LINK LOWER BLACK VER2 REV1		
2	FP-BRG-6802-LLBMAX	6802 LLB MAX		
3	FP-SLV-LL-25MM	SLEEVE LOWER LINK 25MM		
4	FP-BLT-M8*20-BLK	BOLT 8X20 BLACK	13 Nm (10 lb-ft)	●
5	FP-LNK-UL-50MM-V2-R2	LINK UPPER 50MM VER2 REV2		
10a	FP-CLM-MECH-FRM-V1	CLAMP MECHANICAL FRAME		
10b	FP-CLM-DI2-FRM-V1	CLAMP DI2 FRAME		
10c	FP-CVR-MECH-FRM-V2	COVER MECHANICAL FRAME V2		
11	FP-SCW-FLT-M3*10	SCW FLAT 3X10		□
12	FP-SCW-SCK-M5*10	SCREW SOCKET 5X10	7 Nm (5 lb-ft)	
13	FP-PLG-MECH-5.5MM	PLUG MECHANICAL 5.5MM		
14	FP-RDH-TA-12MM-BLK-V1	REAR DERAILLEUR HANGER THROUGH AXLE 12MM BLACK V1		
15a	FP-PLG-DI2-7*8*5	PLUG DI2 7X8X2.5		
15c	FP-GDE-DI2-7*8*5*2.5	GUIDE DI2 7X8X2.5X2.5		
19	FP-BRG-6902-LLUMAXECN	6902 LLU MAX-E CN		
20a	MACH 429 CBN DOWNTUBE GUARD V2	MACH 429 CBN DOWNTUBE GUARD V2		
20b	MACH 429 CBN DT GUARD SMALL V2	MACH 429 CBN DT GUARD SMALL V2		
20c	MACH 429 CBN DT GUARD LARGE V2	MACH 429 CBN DT GUARD LARGE V2		
20d	MACH 429 CBN DT GUARD XL V2	MACH 429 CBN DT GUARD XLARGE V2		
21	MACH 429 CBN CHAINSTAY GUARD	MACH 429 CBN CHAINSTAY GUARD		
29	MACH 429 CBN SEATSTAY GUARD	MACH 429 CBN SEATSTAY GUARD		
30	FP-CVR-DI2-DT-V1	COVER DI2 DOWNTUBE V1		
31	FP-SCW-FLT-M5*10	SCREW FLAT 5x10		
33a	FP-PLG-DI2-7*8*2.5	PLUG DI2 7X8X2.5		
33b	FP-GDE-DI2-7*8*2.5*2.5	GUIDE DI2 7X8X2.5X2.5		
36	FP-BLT-M14*20-BLK-V2	BOLT 14*20 BLACK V2	35 Nm (27 lb-ft)	□
38	FP-BLT-M8*38-BLK	BOLT 8X38 BLACK	13 Nm (10 lb-ft)	●
42	FP-BRG-608-LLUMAXE	608 LLU MAX-E		
43	FP-BLT-M14*66-BLK	BOLT 14X66 BLACK	35 Nm (27 lb-ft)	●
44	FP-BLT-M8*55-BLK	BOLT 8X55 BLACK	13 Nm (10 lb-ft)	●
45	FP-WSH-8I*120*1W	WASHER 8I X 120 X 1W		
46	DT SWISS 142 RWS	DT SWISS 142 RWS		



* ○ = grease ● = anti-seize ◐ = anti-seize or grease □ = loctite 243