



# TREK

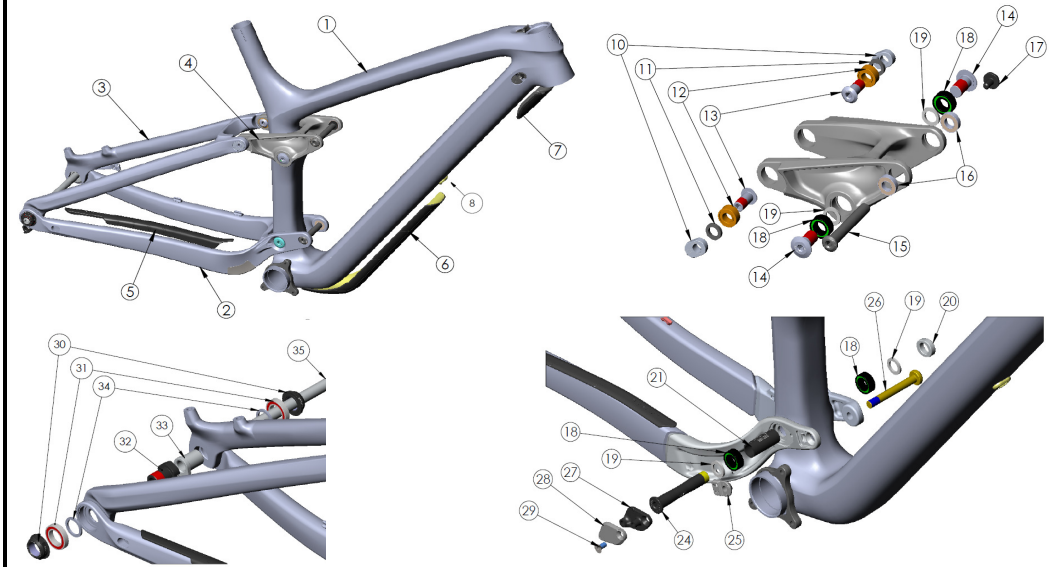
## MTB Suspension Diagram & Technical Information

### 2017 Fuel EX 9.8 & Lower

#### Applicable Models:

2017 Fuel EX 9.8, 9.7, 9, 8, 7, & 5, including All 29er and 27.5+ Models as well as Women's

2017 Fuel EX 9.9 is a different diagram



#### Suspension Hardware

Number	TCG Part Number	Description	Notes / Torque	Quantity Needed
1		2017 Trek Fuel EX 27.5+ Main Frame		1
2	Contact Rep for warranty and aftermarket sale info	2017 Trek Fuel EX 27.5+ Aluminum Chainstay	2x Compatible	1
3		2017 Trek Fuel EX 27.5+ Seatstay		1
4		2017 Trek Fuel EX 27.5+ Magnesium Rocker Link		1
5	W532099	Chainstay Guard - Aluminum Chainstays		1
6	W532098	Downtube Guard - Aluminum Main Frames		1
6	W530144	Downtube Guard - Carbon Main Frames		1
7	W529228	Downtube Guard - Knock Block Headtube Bumper		1
8	W513977	Control Freak Downtube Zip Tie Cinch		1
10	W529223	Mino Link - 2017 Design Not Backwards Compatible to 2014		2
11	W518694	Rocker to Seatstay Pivot Spacer		2
12	W529224	Rocker to Seatstay Pivot Bearing 10mm ID 19mm OD 8mm W	Double Row	2
13	W529220	Rocker to Seatstay Bolt	17 nm	2
14	W529222	Rocker to Seattube Pivot Bolt	17 nm	2
15	540755	Upper Shock Bolt - Main Axle		1
16	W293466	Rocker Bearing 10mm ID 19mm OD 5mm W		2
17	540755	Upper Shock Bolt - Fastener	10 nm	1
18	534572 or W541147	Main & Rocker Pivot Bearing 12mm ID 21mm OD 8mm W		4
19	534572 or W290057	Main & Rocker Pivot Spacer		4
20	534572 or W311582	Main Pivot Axle Nut		1
21	534572	Main Pivot Bearing Spacer		1
24	534572	Main Pivot Axle Bolt	16 nm	1
25	W320302	Lower Shock Nut	RD Zip tie guide	1
26	W511147	Lower Shock Bolt	10 nm	1
27	W526857	Front Derailleur Mount Plate		1 (2x Drivetrain), or 0
28	W530156	1x Flush Cover		1 (1x Drivetrain), or 0
29	W304545	Front Derailleur Mount Fastener	3 nm	1
30	427343 or W301803	ABP Convert Nut	22.6 Nm	2
31	427343 or W305083	ABP Convert Bearing 17mm ID 28mm OD 6mm W		2
32	427343 or W301805	ABP Rear Derailleur Hanger		1
33	427343 Only	ABP Non-Drive Side Axle Bolt		1
34	427343 or W306006	ABP Convert Bearing Spacer - Only for Carbon Seatstays		2 (9.8 Model), or 0
35	W333770	Trek Rear Axle 148x12mm 198mm Long		1

#### Hardware Kits

Number(s)	TCG Part Number	Description	Notes	Quantity
18-21, 24	534572	Trek Fuel EX 27.5+ 2017 Main Pivot Kit		1
30-34	427343	ABP Convert Kit 148x12 & 142x12		1

## Variances from Carbon to Aluminum

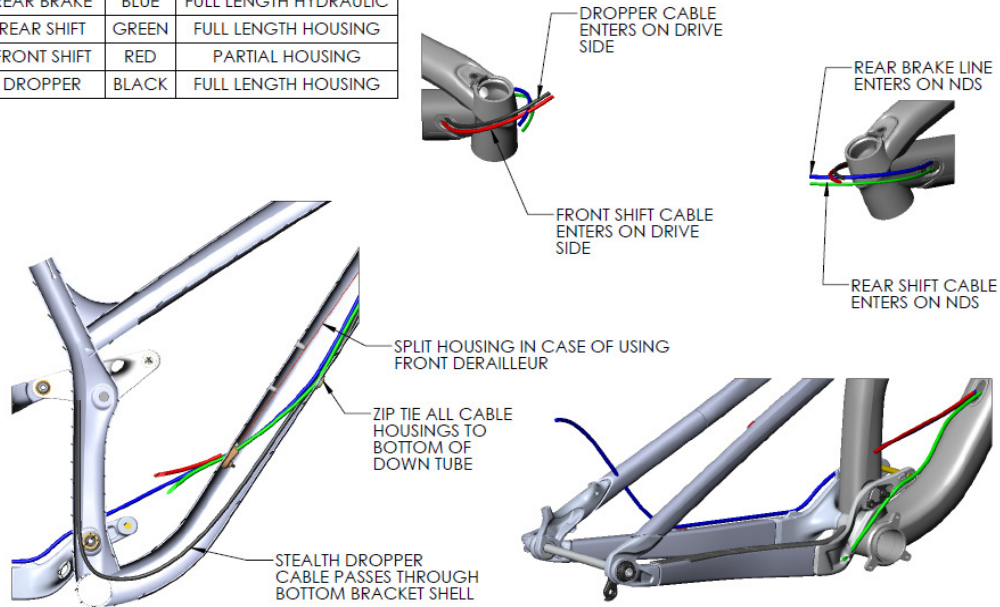
- A. ABP Bearing Spacer (W306006) Needed With Carbon Seatstays  
 B. Different downtube armor between carbon and aluminum models  
 C. Fuel EX 9.9 is 1x Only Due to Carbon Chainstay, and has a different Main Pivot Kit. See Separate Diagram

## Technical Information and Specifications

Item	Description or Specification
Frame Travel	130mm / 5.1" Rear (Front Compatible to 140mm)
Designed Fork Axle-Race	540 or 550 mm
Shock Eye to Eye and Stroke	210 x 52.5mm Metric Only
Upper Shock End Width	60mm
Upper Shock Hardware	Trunnion to Pin Adapter, 10mm OD
Lower Shock End Width	50mm, Offset 10mm to the Non Drive Side
Lower Shock Hardware	M8 x 1.25 x 64mm, mates to W320302
Available Sizes	15.5", 17.5", 18.5", 19.5", 21.5", 23" (23" Size is Aluminum Only)
ISCG Tabs	ISCG 05
Max Chainrings	Small: 36/26 (2x), 32 (1x)
Front Derailleur Style	Low Direct Mount (E2) Front Pull Sidesweep
Rear Brake Mount	Direct Post Mount (160 mm Adaptable to 203 mm)
Wheel Size	29 or 27.5+
Bottom Bracket	Pressfit BB92 (2.5 mm Spacer NOT Needed)
Designed Q-Factor	166 mm
Headset Style	Trek Proprietary Knock Block Steer Stop System - See Knock Block Diagram on Tech Site & Trek U Video
Max Tire Size	29 x 2.4" or 27.5 x 2.80"
Rear Hub OLD	148x12
Rear Axle Length	198 mm
Seatpost OD	31.6 mm
Seat Collar ID	36.4 mm
Derailleur Hanger	W526857 Front / W301805 Rear
Internal Cable Routing Options	Front Derailleur, Rear Derailleur, Stealth Dropper Post, Rear Brake Line

## Cable Routing Diagram

REAR BRAKE	BLUE	FULL LENGTH HYDRAULIC
REAR SHIFT	GREEN	FULL LENGTH HOUSING
FRONT SHIFT	RED	PARTIAL HOUSING
DROPPER	BLACK	FULL LENGTH HOUSING



## Control Freak Cable Routing Hardware

TCG Part Number	Description	Notes	Quantity Needed
W513977	Control Freak Downtube Zip Tie Guide	See Separate Control Freak Cable Management TrekU Video	0 or 1; 1 Stock
W513980	Control Freak Headtube Cable Guide		2 or 0; 2 Stock
W519232	Control Freak Headtube Cable Plug		1 or 3; 1 Stock
W513979	Control Freak Replacement Rubber Horseshoe		1
W513981	Control Freak Downtube Plug		0 or 1; 0 Stock
W439072	Control Freak Fixing Hardware		3