



TREK

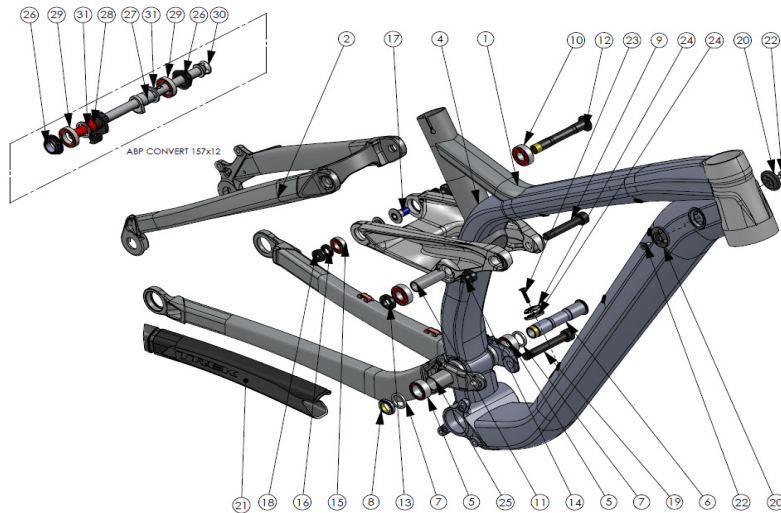
MTB Suspension Diagram & Technical Information

2016 Session 27.5

Applicable Models:

2015 Session 88 Race 27.5, Session 9.9 Race 27.5

2016 Session 8 DH 27.5, Session 88 DH 27.5, Session 9.9 DH 27.5



Suspension Hardware

Number	TCG Part Number	Description	Torque	Quantity
1	Contact Rep for warranty and aftermarket sale info	2015 Trek Session Race 27.5 Main Frame		1
2		2015 Trek Session Race 27.5 Seatstay		1
3		2015 Trek Session Race 27.5 Chainstay		1
4		2015 Trek Session Race 27.5 Rocker Link		1
5	W302025	3803 2Rs Double Wide Bearing (2x included in MP Kit 512488)		1
6	512488	Main Pivot Axle Bolt	34 NM	1
7		Main Pivot Washer		1
8		Main Pivot Axle Nut		1
9	W290056	Upper Shock Bolt	90 lbs-in	1
10	W281907	Rocker Pivot Bearing		2
11	W310155	Rocker Pivot Bearing Spacer		1
12	W308985	Rocker Pivot Axle M12x1.25x85	200 lbs-in	1
13	W311582	Rocker Pivot Axle Nut		1
14	W290055	Upper Shock Nut		1
15	W275322	Rocker Rear Bearing		2
16	W518694	Rocker Rear Washer		2
17	W284027	Rocker Rear Bolt	175 lbs-in	2
18	W327734	Rocker Rear Nut - Mino Link		2
19	W503029	Lower Shock Bolt	90 lbs-in	1
Not Pictured	W291639	Session 9.9 Lower Shock Nut M10x1.0	Carbon chainstay only	1
20	524163	Session Fork/Headtube Bumper and Cable Guide - Carbon		1
20	W313063	Session Fork/Headtube Bumper and Cable Guide - Aluminum		1
21	W304509	Session Chainstay Guard - Aluminum		1
21	W503793	Session Chainstay Guard - Carbon		1
22	W439072	Fastener, M4x0.7x20mm - Carbon		2
22	W304515	Fastener, M5x0.8x10mm - Aluminum		2
23	W439072	Fastener, M4x0.7x20mm		1
24	W502054	Cable Exit Guide - Rear Brake and Derailleur		1
25	512488	Main Pivot Bearing Spacer		1
26	427343 or W301803	ABP Outside Nut	200 lbs-in	1
27	427343 or W301804	ABP Non-Drive Side Axle Bolt		1
28	427343 or W301805	ABP Rear Derailleur Hanger		1
29	427343 or W305083	ABP Convert Bearing		1
30	W291346	Session Rear Axle 12mm		1
31	427343 or W306006	Dropout Spacer		1

Changes/Updates from Past Model Year

No design changes between 2015 and 2016 for the Session 27.5

Variations from Carbon to Aluminum Model

- A. Magnesium rocker link vs. carbon on the 9.9 model
- B. Different head tube bumpers/cable entry hole guides
- C. Carbon chainstay requires nut W291639 to fix lower shock bolt

Technical Information and Specifications

Item	Description or Specification
Frame Travel	210mm / 8.25"
Designed Fork Axle-Race	586 mm
Shock Eye to Eye and Stroke	222x70 / 8.75"x2.75"
Upper Shock End Width	40mm
Lower Shock End Width	50mm (Offset 10mm to non-drive side)
Shock Spring Info	Coil: Small 400lb; Medium 450lb; 500lb Large & XL
Shock Hardware Diameter	10mm
Available Sizes	Small, Medium, Large, and Extra Large
ISCG Tabs	05 Standard
Max Chainrings	42T
Front Derailleur Clamp	NA
Wheel Size	27.5
Bottom Bracket	English Threaded 83mm Wide
Headset Style	Semi-Integrated / Zero Stack with E2 Taper
Max Tire Size	2.5"
Rear Hub OLD	157x12 or 150x12
Seatpost OD	31.6mm
Seat Collar ID	39.85mm for Carbon 9.9 model, 36.4mm on Aluminum models
Derailleur Hanger	W301805
Internal Cable Routing	Rear Brake and Rear Derailleur, Optional but recommended