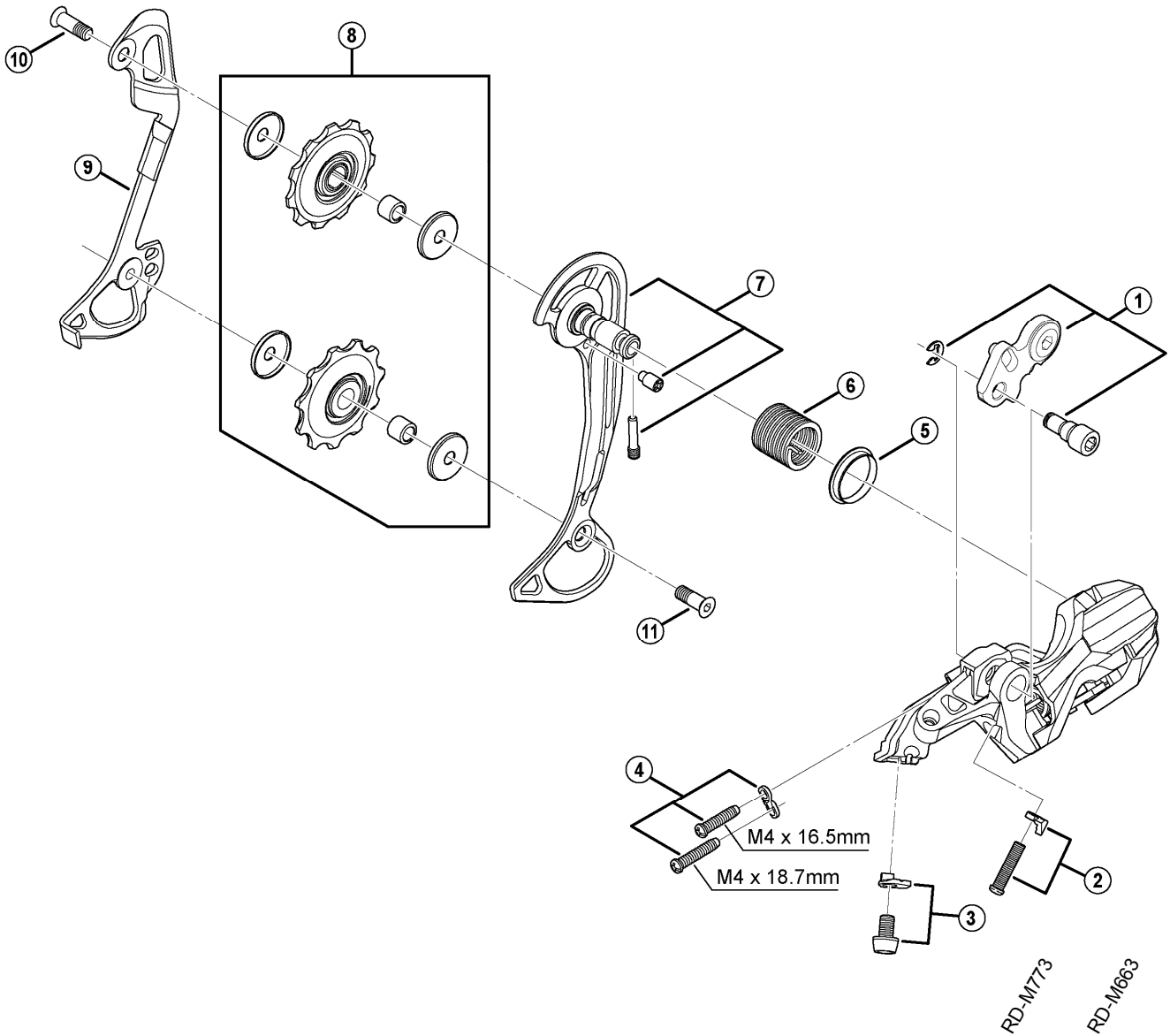


# DEORE Rear Derailleur

## RD-M593 (SGS) Super Long Cage



ITEM NO.	SHIMANO CODE NO.	DESCRIPTION	INTERCHANGEABILITY		
* 1	Y5XF98090	Bracket Axle Unit	A	A	
2	Y5XF98030	B-Tension Adjusting Screw (M4 x 18) & Plate	A	A	
3	Y5X798010	Cable Fixing Bolt (M5 x 8.5) & Plate	B	B	
4	Y5W798020	Stroke Adjusting Screws & Plate	A	A	
5	Y5UC14000	P-Seal Ring	A	A	
6	Y5W722000	P-Tension Spring	A	A	
7	Y5XU98010	Outer Plate Assembly	B	B	
8	Y5XU98030	Guide & Tension Pulley Unit	B	B	
9	Y5XU10000	Inner Plate	B	B	
10	Y53M24400	Guide Pulley Bolt (M5 x 13.95)	A	A	
11	Y53M24500	Tension Pulley Bolt (M5 x 12.45)	B	B	

A: Same parts.

B: Parts are usable, but differ in materials, appearance, finish, size, etc.

Absence of mark indicates non-interchangeability.

Apr.-2012-3211A

© Shimano Inc. A

Specifications are subject to change without notice.

# SHIMANO