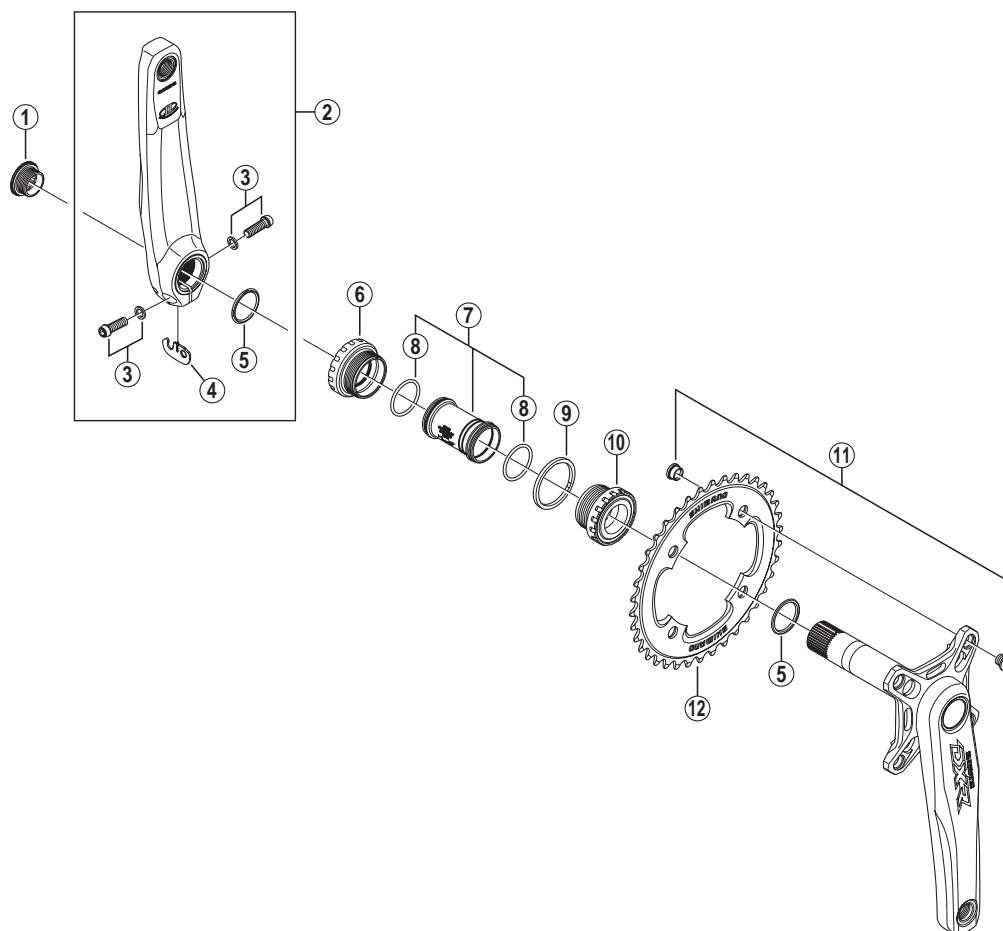


# DXR Front Chainwheel

## FC-MX71

### SM-CR80-A



• Bolt circle diameter: 104 mm

ITEM NO.	SHIMANO CODE NO.	DESCRIPTION	INTERCHANGEABILITY	
			FC-M660	FC-MX70
1	Y1E511100	Crank Arm Fixing Bolt	B	A
2	Y1MA98010	Left Hand Crank Arm 165 mm		
	Y1MA98020	Left Hand Crank Arm 170 mm		
	Y1MA98030	Left Hand Crank Arm 175 mm		
	Y1MA98040	Left Hand Crank Arm 180 mm		
3	Y1F898010	Clamp Bolt (M6 x 19) & Washer		A
4	Y1KK98040	Plate		
5	Y1F316000	Ring	A	A
6	Y1J198080	Left Hand Adapter (B.C.1.37" x 24T) English Thread	A	B
7	Y1HE98060	Inner Cover & O-Ring		A
8	Y1TF21000	O-Ring	A	A
9	Y1F813000	Spacer (2.5 mm)	A	A
10	Y1J198090	Right Hand Adapter (B.C.1.37" x 24T) English Thread	A	B
11	Y1MA98050	Gear Fixing Bolt (M8 x 7) & Nut (4 sets)		B
12	ISMCR80AA4	Chainring 34T (Black)		B
	ISMCR80AA8	Chainring 38T (Black)		B
	ISMCR80AB1	Chainring 41T (Black)		B
	ISMCR80AB2	Chainring 42T (Black)		B
	ISMCR80AB3	Chainring 43T (Black)		B
	ISMCR80AB4	Chainring 44T (Black)		B
	ISMCR80AB6	Chainring 46T (Black)		B

A: Same parts.

B: Parts are usable, but differ in materials, appearance, finish, size, etc.

Absence of mark indicates non-interchangeability.

Aug.-2010-3071

© Shimano Inc. I

Specifications are subject to change without notice.

# SHIMANO