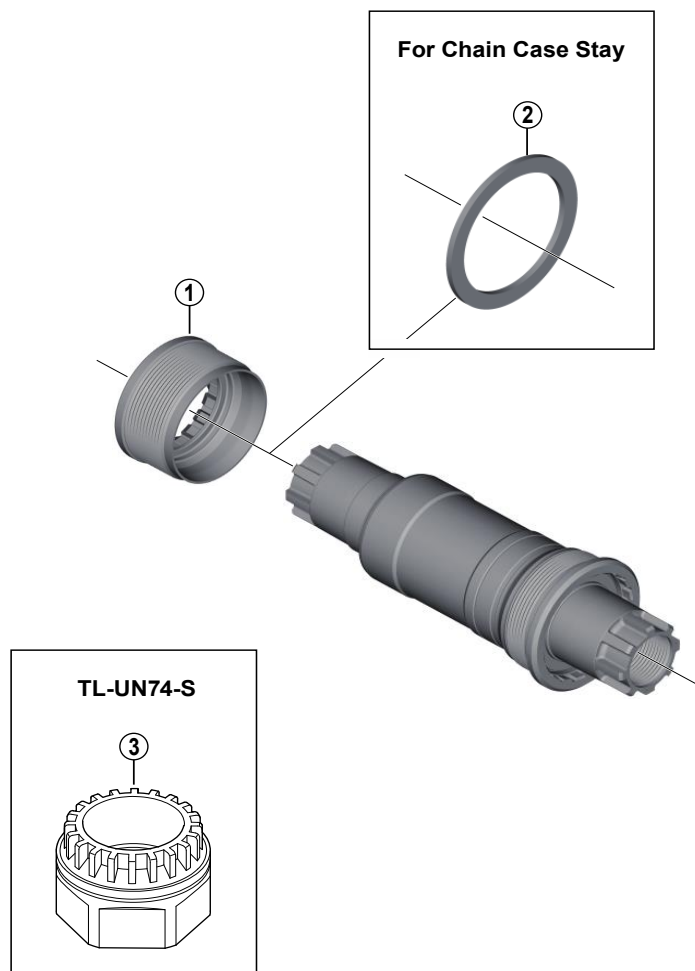


Bottom Bracket Assembly

BB-ES300 BB-ES300-K
BB-ES300-E BB-ES300-AK



| ITEM NO. | SHIMANO CODE NO. | DESCRIPTION | INTERCHANGEABILITY | | | |
|----------|------------------|--|--------------------|---------|---------|---------|
| | | | BB-UN55 | BB-UN26 | BB-ES51 | BB-7710 |
| 1 | Y1T702000 | Left Hand Adapter (B.C.1.37" x 24T) English Thread for (Shell Width 68 mm / BB-ES300) | B | A | A | |
| | Y1T702010 | Left Hand Adapter (B.C.1.37" x 24T) English Thread for (Shell Width 68 mm / BB-ES300-E / BB-ES300-K / BB-ES300-AK) | B | A | A | |
| | Y1T702200 | Left Hand Adapter (B.C.1.37" x 24T) English Thread for (Shell Width 73 mm / BB-ES300) | B | A | A | |
| | Y1T702210 | Left Hand Adapter (B.C.1.37" x 24T) English Thread for (Shell Width 73 mm / BB-ES300-E) | B | A | A | |
| | Y1T702100 | Left Hand Adapter (M36 x 24T) Italian Thread for (Shell Width 70 mm / BB-ES300) | B | A | A | |
| 2 | Y1SG12000 | Spacer B (0.7 mm) for Chain Case Stay | A | A | A | |
| | Y1SG11000 | Spacer A (1.8 mm) for Chain Case Stay | A | A | A | |
| 3 | Y13009073 | Adapter Removal Tool (TL-UN74-S) | A | A | A | A |

A: Same parts.

B: Parts are usable, but differ in materials, appearance, finish, size, etc.

Absence of mark indicates non-interchangeability.

Specifications are subject to change without notice.

Dec.-2014-3823

© Shimano Inc. I

SHIMANO